

drop

Controlled automatic unit cleaning



Drop is a cleaning module designed to guarantee optimum repeatability of cleaning quality thanks to the single-use solvent. An innovation that avoids cross-contamination of parts, challenging the «benzinière» principle while ensuring the well-being of users!

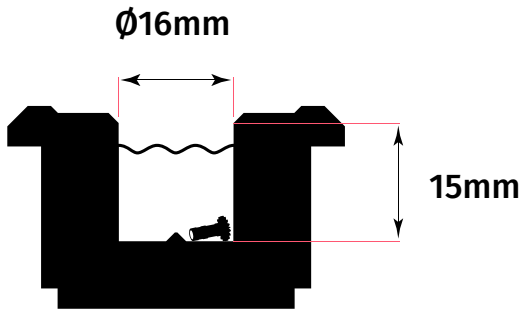
The amount of solvent used is limited, minimizing environmental impact and running costs.

Compact and easy to handle, this station runs solely on electricity. ATEX-certified, drop can be used with various solvents, such as benzine or isopropanol.

Combined with the lumen optical measuring device, drop ensures an optimum cleaning-measuring process in the production environment. The vacuum gripper, with its self-cleaning tip, enables quick and easy handling of cleaned parts without contamination.

CONFIGURATION

Drop is configured with a $\varnothing 16\text{mm}$ chamber 15mm deep.



ACCESSORIES AND SPARE PARTS

Flat and V-shaped gripper tips interchangeable without tools.

